



## CTC240

■ **Exclusive Compu-Press® grid technology optimizes energy transfer to maximize power**

- Microcat® Catalyst lowers float current, mitigates thermal buildup and cell dryout
- Advanced AGM technology for superior power
- Puncture resistant micro-porous glass mat separators extend life
- Reinforced case resists bulging and meets safety requirements (UL 94)
- Case & cover heat sealed and 100% tested to prevent leaks
- Epoxy sealed posts eliminate leaks
- Flame arresting, low-pressure, self-sealing valves are 100% factory tested
- Computer-aided design and manufacturing control processes and standards to ensure quality products
- All batteries meet or exceed IEEE recommended practices
- Battery design and construction meet UL recognition requirements
- Plate thickness optimized for long life



### SPECIFICATIONS

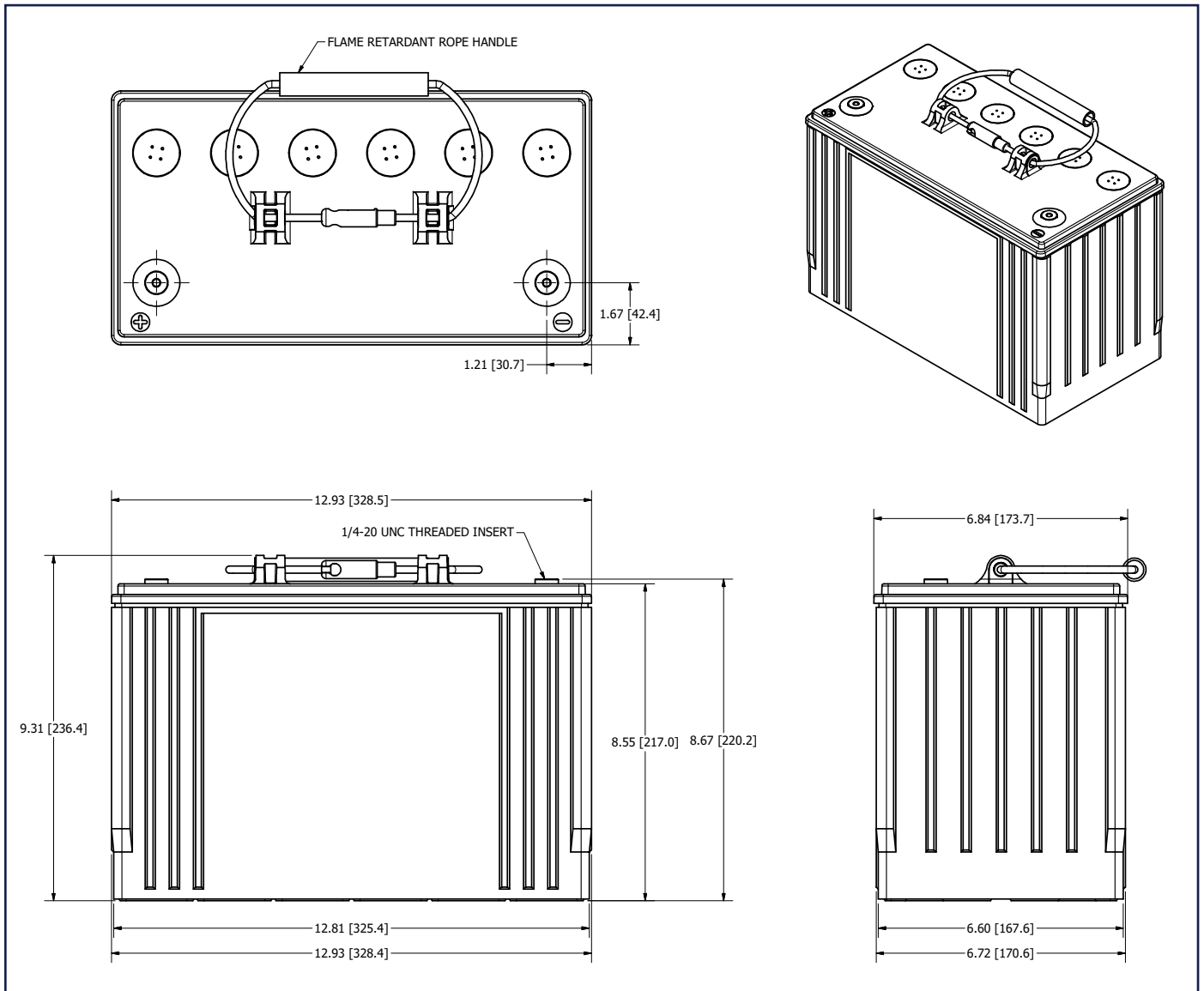
- Nominal Voltage:** 12-Volts
- Rating:** 240 minutes @ 25 amps to 1.75 V.P.C.
- Positive Plate:** High tin, low calcium alloy
- Negative Plate:** Calcium alloy
- Post Seal:** Epoxy-sealed
- Terminal:** Top access, 1/4" – 20 threaded insert
- Case/Cover:** Flame retardant, polypropylene – UL94 rated per UL1778 requirements

- Safety Vent:** Low positive pressure, self-sealing w/ flame arrestor
- Float Voltage:** 2.25 V.P.C. ± 0.01 V.P.C. @ 77°F (25°C)
- Design life:** 10 years in float applications @ 77°F (25°C)
- Dimensions:** Length - 12.93" (328.4mm)  
Width - 6.84" (173.7 mm)  
Height - 9.34" (237.2 mm)
- Weight:** 68.0 lbs. (31.0 kg)

### DISCHARGE RATINGS IN AMPS PER CELL @ 77°F (25°C)†

Volts per Cell (V.P.C.)	1 Hr	2 Hr	3 Hr	4 Hr	5 Hr	6 Hr	8 Hr	10 Hr	20 Hr
1.75 vpc	85.2	46.3	32.4	25.0	20.3	17.2	13.1	10.6	5.4

†Subject to change without notice.



## INSTALLATION AND OPERATING INSTRUCTIONS

<https://www.eastpennmanufacturing.com/wp-content/uploads/Deka-CTC240-IO-Manual-2656.pdf>

**PROPOSITION 65 WARNING:** Battery posts, terminals and related accessories contain lead and lead compounds, chemicals known to the State of California to cause cancer and reproductive harm. Batteries also contain other chemicals known to the State of California to cause cancer. **WASH HANDS AFTER HANDLING.**



e-mail: [reservepowersales@dekabatteries.com](mailto:reservepowersales@dekabatteries.com)

QUALITY SYSTEM  
CERTIFIED  
**ISO 9001**  
**IATF 16949**  
ENVIRONMENTAL  
SYSTEM CERTIFIED  
**ISO 14001**



East Penn Manufacturing Co.

Lyon Station, PA 19536-0147

Phone: 610-682-3263

Fax: 610-682-0891

[www.dekabatteries.com](http://www.dekabatteries.com)

E.P.M. Form No. 2658 10/24

© 2024 by EPM Printed in U.S.A.

All data subject to change without notice. No part of this document may be copied or reproduced, electronically or mechanically, without written permission from the company.